

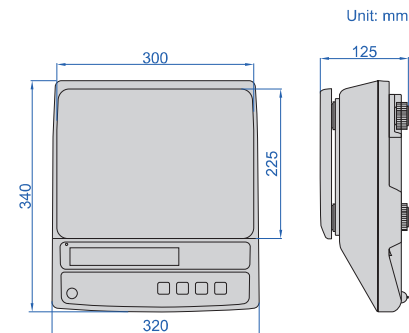
CHECKING WEIGHT SCALES



printer (optional)



8004-6



- LCD display, with backlight
- Zero-setting, subtracting tare value
- Checking alarm, overload alarm
- Automatic power off
- Double weighing pan in stainless steel and plastic
- Unit: kg, g, tj, H_j, t(ola), lb, oz, lb-oz

OPTIONAL ACCESSORY (for scales with RS232)

Printer **8001-PRINTER**

SPECIFICATION

Code	8004-6	8004-15	8004-30	8004-6D	8004-15D	8004-30D
Maximum weighing	6kg	15kg	30kg	6kg	15kg	30kg
Minimum weighing	10g	20g	40g	10g	20g	40g
Resolution (d)	0.5g	1g	2g	0.5g	1g	2g
Accuracy (m is load)	m≤2.5kg: ±2.5g m>2.5kg: ±5g	m≤5kg: ±5g m>5kg: ±10g	m≤10kg: ±10g m>10kg: ±20g	m≤2.5kg: ±2.5g m>2.5kg: ±5g	m≤5kg: ±5g m>5kg: ±10g	m≤10kg: ±10g m>10kg: ±20g
Output	no			RS232		
Operation temperature	0~40°C					
Power	rechargeable lead acid battery (6V/4Ah)					
Dimensions of pan	300×225mm					